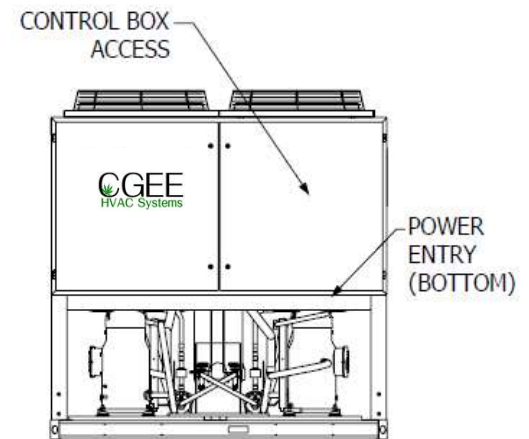
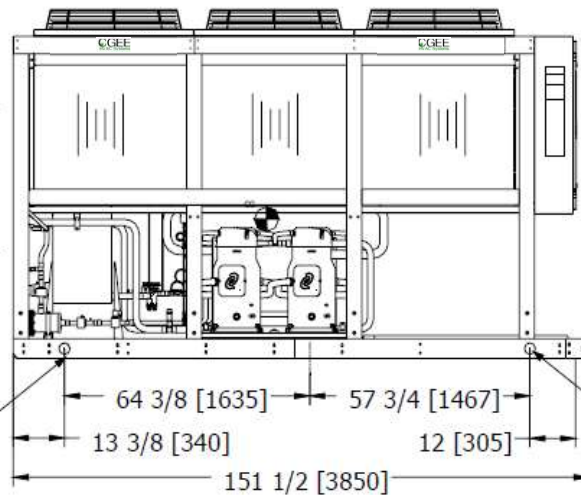
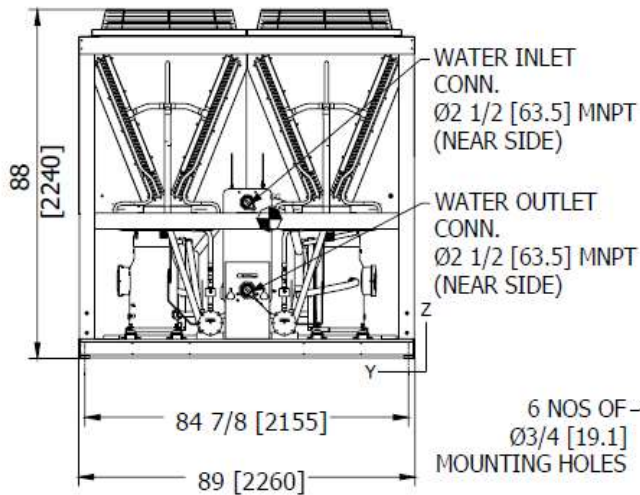
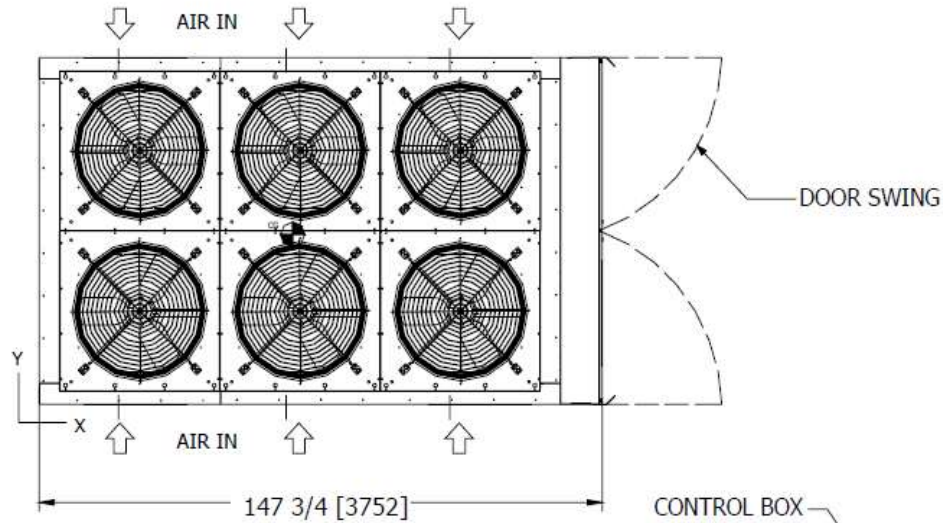


CGACDS 080,090

60HZ

NOTES:

1. ALLOW 60 [1524] CLEARANCE AT CONTROL PANEL END OF UNIT FOR SERVICES.
2. WATER PIPING TO BE SUPPORTED TO MINIMIZE LOAD ON UNIT.



6 NOS OF
Ø3/4 [19.1]
MOUNTING HOLES

4 NOS OF
Ø2 7/8 [73.0]
LIFTING HOLES